

Customer: _____

No. F3692422M

Date: Nov. 03, 1994

Attention: _____

Your ref. No: _____

Your Part. No: _____

SPECIFICATIONS

ALPS: _____

MODEL RS6011266
(10KA X 2)

Spec. No. : _____

Sample No. : F3692422M

RECEIPT STATUS

RECEIVED

By. Date _____

Signature _____

Name

Title

ALPS ELECTRIC CO., LTD.

HEAD OFFICE
1-7, YUKIGAYA-OHTSUKA-CHO,
OHTA-KU, TOKYO 145 JAPAN

DSG'D Id. Fujita

APP'D Id. Ito

ENG. DEPT. DIVISION

Sales _____

SPECIFICATIONS

1. THIS SPECIFICATIONS APPLY TO RS6011266 POTENTIOMETERS.

2. CONTENTS OF THIS SPECIFICATIONS.

4S6028-411M
4S0008-45M
4S0001-200M, 4S0001-201M
S6028P623A

3. MARKING

• MARKING ON ALL UNITS
DATE CODE, RESIST. VALUE, TAPER, TRADE MARK, JAPAN

4. REMARKS

• NOTES

• Marking ⇒ in specifications shows standard and condition for application.

CLASSNO. TITLE STANDARD TYPE POTENTIOMETER (SLIDE)

ELECTRICAL

1. Overall resistance :
Overall resistance tolerances : $\pm 20\%$ Unit : K Ω

5	10	20	50	100	200	250	500	1,000
---	----	----	----	-----	-----	-----	-----	-------

2. Minimum resistance : Unit : Ω

Overall resistance (K Ω)	5, 10	20, 50	100	200, 500	1000
Across term. 1-2	30	50	100	200	300
Across term. 2-3	50	70	120	220	320
					500

3. Taper : "A" (SAS16)

4. Rated power : 0.1 Watts.

5. Rated voltage : Rated voltage = $\sqrt{P \cdot R}$ (V)

P : rated power (W)

R : nominal overall resistance (Ω)

When the rated voltage exceeds the maximum operating voltage the maximum operating voltage shall be the rated voltage.

Maximum operating voltage : A.C. 150 V, D.C. 10 V

6. Dielectric test : Units shall be designed to withstand 300 volts A.C. 50 Hz R.M.S. between resistance elements and case for a period of one minute without damage or arcing.

7. Insulation resistance : Greater than 100 megohms between resistance elements and case when tested by a 250 volts D.C. insulation resistance meter.

8. Tracking error : 3 dB from -40 to 0 dB

9. Sliding lifetest : 15,000 cycles

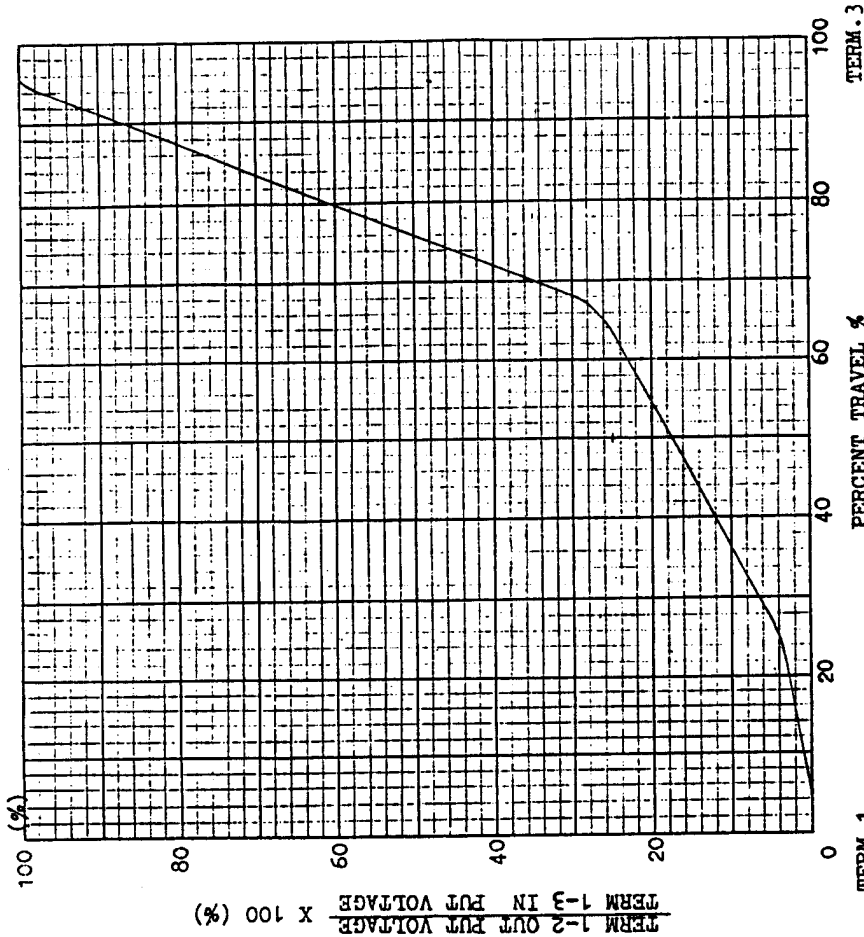
* Lever shall be operable with speed of 20 mm per sec. without noise by static electricity.

SYMB	DATE	APPD.	CHKD.	DSECD.	APPD.	CHKD.	DSECD.	TITLE
								ALPS ELECTRIC CO., LTD.
								SPECIFICATIONS
								DOCUMENT NO.
								456028-411 M

治電社

USED ON	NAME
45.60 mm TRAVEL TYPE	RESISTANCE TAPER
ALPS ELECTRIC CO., LTD.	TITLE
1-7 YUKIGAYA OTSUKA-CHO	SPECIFICATIONS
OTA-KU TOKYO JAPAN	

TAPERED CURVE: "A"



NOTES: PERCENT VOLTAGE CHECK POINT TOLERANCE

50% TRAVEL FROM TERM.1 10-25%

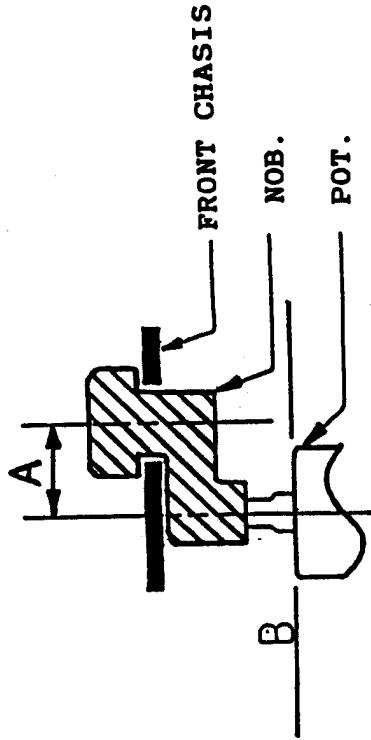
SYMB	DATE	APPD.	CHKD.	DSECD.	APPD.	CHKD.	DSECD.	NAME
								RESISTANCE TAPER
								DWG. NO. SAS16

2連5-1/4 V.M.

OR

PRECAUTION IN USE

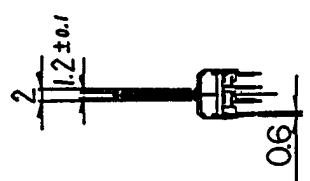
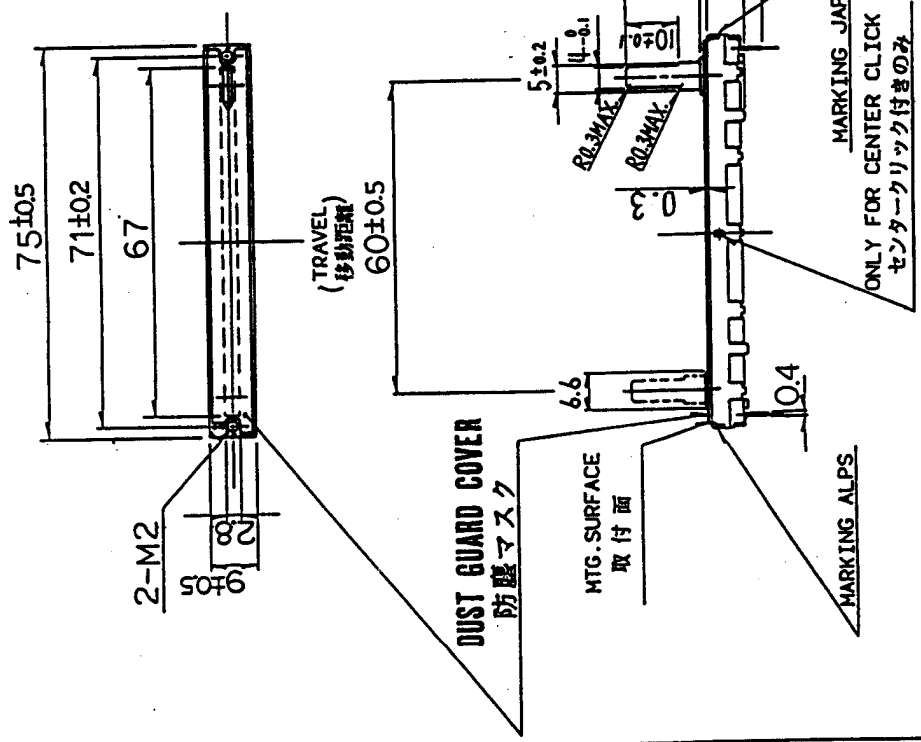
1. If it will be used the operating point away from the center line of the lever, it should be shorter as possible.
2. About the length of lever
If conditions permit, it is advisable to use the shortest possible lever. The longer the length up to operating point, the more unfavorable slide feeling will be given.



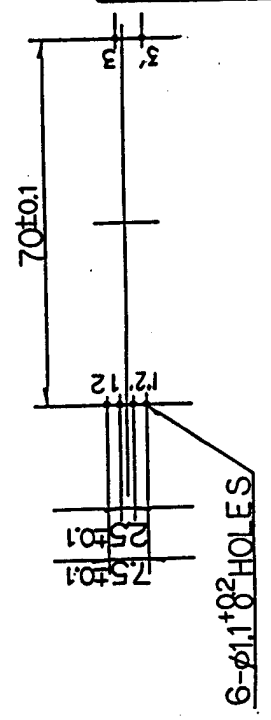
3. Regarding the operation of the lever, please consider the above mentioned, and make sure nothing is wrong with the operation under installing in your appliance that you plan to use our products actually.

ALPS ELECTRIC CO., LTD.		APPD.	CHKD.	DSCD.	TITLE
		Aug. 10 '91	Aug. 9 '91	Aug. 9 '91	SLIDE POTENTIOMETER
					DOCUMENT NO.
					4S0001-200M
STATE	DATE	APPR.	CHKD.	INSCR.	

Y. Morioka
G. Obe



MOUNTING HOLE DETAIL 取付穴寸法図
(VIEWED FROM MOUNTING SIDE) (挿入側より)



NOTES

1. MOUNTING SCREW THREAD LENGTH IS CHASSIS THICKNESS + 2 mm MAX.
取付用ネジの首下長さは、シャーシ板厚 + 2 mm 以下とする。
2. TOP SIDE OF KNOB SHALL BE MOUNTED TO LEVER WITHIN 3.0 mm LENGTH FROM LEVER MTG. SURFACE.
取付面からツマミ先端まで 3.0 mm 以内でご使用願います。

L	NO CLICK クリックなし	P.N. 登録	WITH CENTER CLICK センタークリック付き	P.N. 登録
25	S6028P686A	70.3.12	S6028P687A	..
20	S6028P654A	87.11.26	S6028P688A	..
15	S6028P623A	86.3.28	S6028P689A	..

許容誤差の指定なき寸法の公差	
TOLERANCES UNLESS OTHERWISE SPEC	
BASIC DIMENSIONS	TOLERANCE
L ≤ 10	± 0.3
10 < L < 100	± 0.5
100 ≤ L	± 0.8
ANGULAR DIMENSION	公差 ± 5°

ALPS ELECTRIC CO., LTD.

SCALE: 60mm DUAL UNIT
FIGURE: SLIDE POTENTIOMETER

UNIT: mm
CHKD. May 1089
APPD. May 1089
DSCD. May 1089

ZONE SYMB. DATE APPD. DSCD. CHKD.

DOCUMENT NO. S6028-6311