

# ALPS RK27112 "Das Blaue" 100K logarithmisch stereo High-Grade/High-End Audio- Potentiometer



[potentiometer4audio.de](http://potentiometer4audio.de)

Gabriele Perdomo  
Im Brühl 72  
75443 Ötisheim  
Deutschland

[info@familygate.eu](mailto:info@familygate.eu)  
Tel. +49 7041 8141686  
Fax: +49 3222 3720128

Customer : \_\_\_\_\_

No. F3861119M

Date : Nov. 18, 1994

Attention: \_\_\_\_\_

Your ref. No: \_\_\_\_\_

Your Part. No: STRK27104

# SPECIFICATIONS

ALPS :

MODEL RK27112A0  
(100kAX2)

Spec. No. : \_\_\_\_\_

Sample No. : F3861119M

RECEIPT STATUS

RECEIVED

By. Date \_\_\_\_\_

Signature \_\_\_\_\_

Name

Title

ALPS ELECTRIC CO., LTD.

HEAD OFFICE  
1-7, YUKIGAYA-OHTSUKA-CHO.  
OHTA-KU, TOKYO 145 JAPAN

DSG'D Y. Saito

APP'D M. Sato

ENG. DEPT. DIVISION

Sales \_\_\_\_\_

## SPECIFICATIONS

1. THIS SPECIFICATIONS APPLY TO RK27112A0 POTENTIOMETERS.

2. CONTENTS OF THIS SPECIFICATIONS.

4K272A-200  
K272A000F

3. MARKING

·MARKING ON ALL UNITS  
DATE CODE, RESIST. VALUE, TAPER

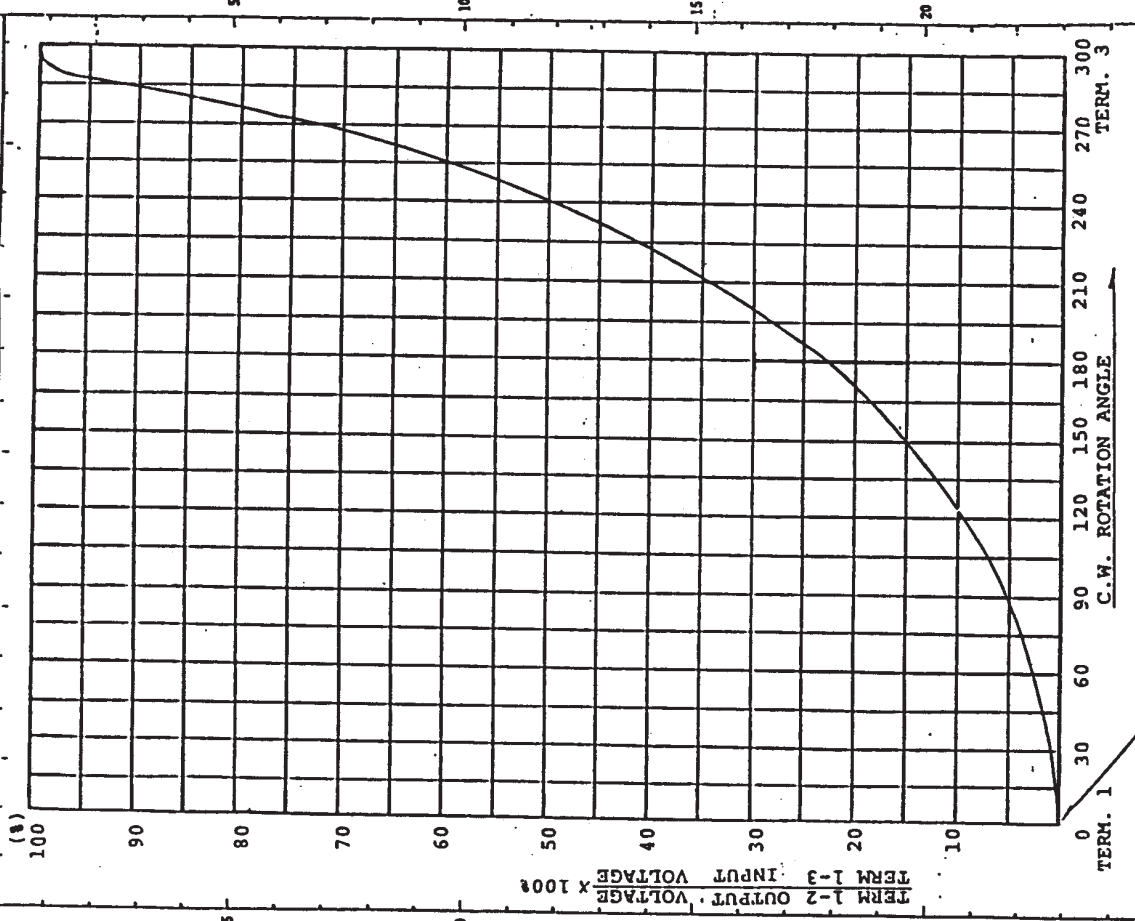
2

4. REMARKS

·FURNISH PACKAGE  
NUT: 1, WASHER: 1  
·NOTES

·Silver printed patterns are coated with carbon as a protection against sulphuration.  
·Marking ⇒ in specifications shows standard and condition for application.





FULL C.C.W. POSITION

At 180° C.W shaft rotation from full C.C.W position voltage percent shall fall within the limits of 15~30 percent.

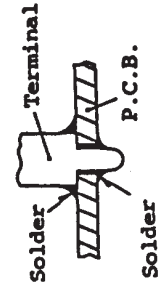
DATE	APPD.	CHKD.	DSCD.	NAME
May 31 '85				RESISTANCE TAPER
				HSA02

CLASS NO.

TITLE

Caution for soldering

Please avoid soldering on upper surface of P.C.B. as shown.



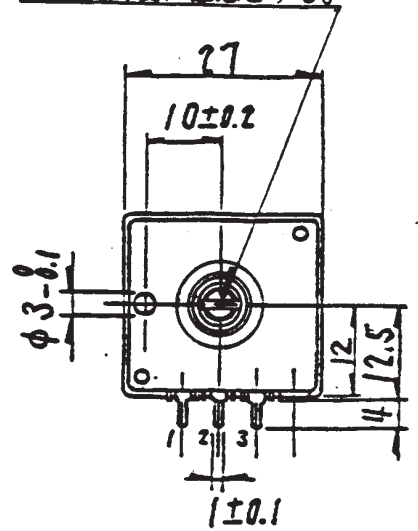
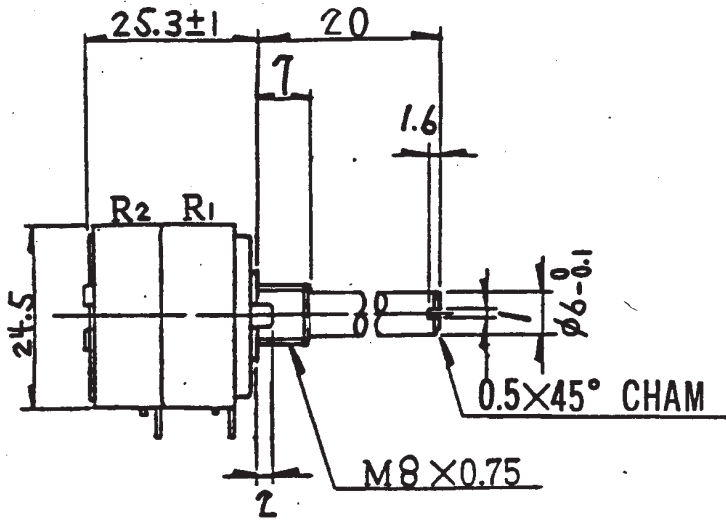
SYMB	DATE	APPD	CHKD	DSCD	APPD.	CHKD.	DSCD.	TITLE
					12.3	12.3	12.3	
					12.3	12.3	12.3	
					12.3	12.3	12.3	

ALPS ELECTRIC CO., LTD.

DOCUMENT NO.

SHAFT SLOT IS OPTIONAL ANGLE

スリ割角度は任意とする。



P.W.B.MOUNTING DETAIL

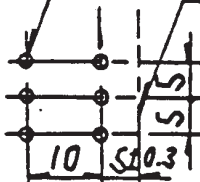
TOLERANCE ± 0.1  
VIEWED FROM MOUNTING SIDE

取付穴寸法図

許容差±0.1 (挿入側より)

6-φ1.2<sup>+0.2</sup> HOLES

取付面 MOUNTING SURFACE



許容差の指定なき寸法の公差		
TOLERANCES UNLESS OTHERWISE SPEC		
BASIC DIMENSIONS	TOLERANCE	
L ≤ 10	± 0.3	
10 < L < 100	± 0.5	
100 ≤ L	± 0.8	
角度, ANGULAR DIMENSION	± 5°	

部	番	名	称	材	料	規	格	処	理	22.62	3H21A4
				三角法	単位 mm	尺	度				
				承認	照査	設計	図名	1軸2連小型デイトントVR組立図			
				56.4.22	56.4.22	56.4.21	図番	-K272A000F			
記	号	年	月	日	承認	照査	設計				