


Part number **RK16812MG099**

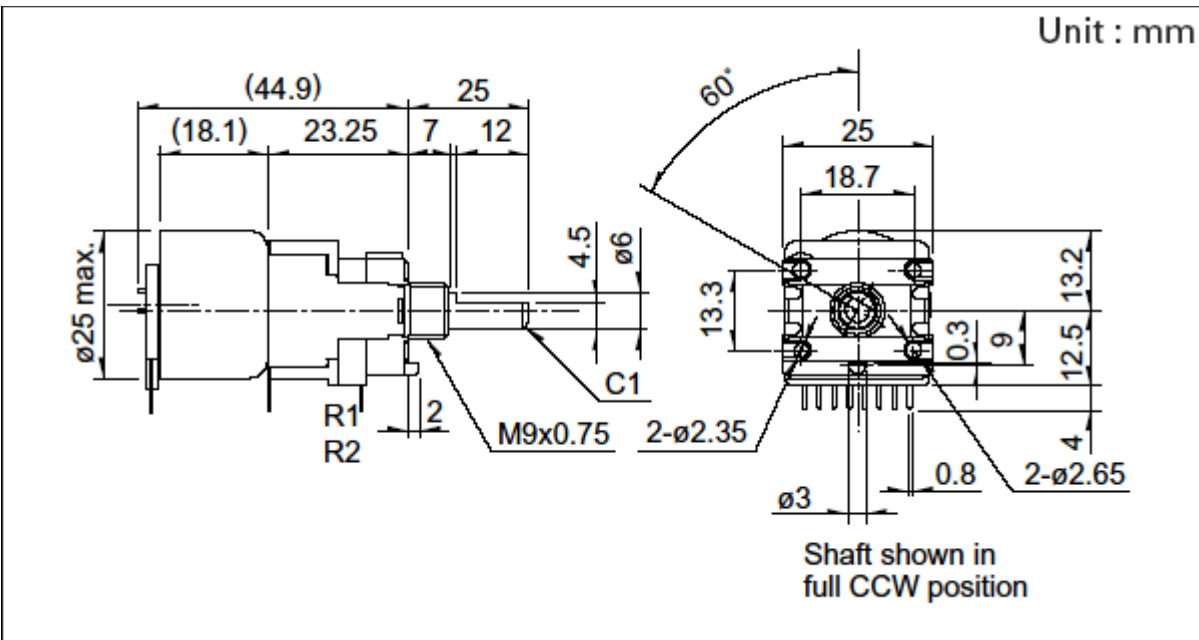
Number of resistor elements	Dual-unit	
Mounting direction	Horizontal type	
Fixing method of bushing	Screw	
Shaft types	Flat	
Length of the shaft	25mm	
Total resistance	100k Ω	
Resistance taper	3B	
Motor print terminal	With	
Motor voltage	4 to 6V DC (standard: 4.5V)	
Potentiometer rotational speed	12 \pm 3 sec/300 $^\circ$ (4.5V DC)	
Maximum operating current	At rotation: 100mA/At end slip: 150mA	
Operating temperature range	-10 $^\circ$ C to +70 $^\circ$ C	
Electrical Performance	Total resistance tolerance	\pm 20%
	Rated power	0.05W
	Maximum operating voltage	50V AC
	Maximum attenuation	100dB min.
	Gang error	-60dB to 40dB 5dB max. -40dB to 0dB 3dB max.
	Insulation resistance	100M Ω min. 250V DC
	Voltage proof	300V AC for 1 minute
	Total rotational angle	300 $^\circ$ \pm 5 $^\circ$
	Rotational torque	10 to 40mN·m
	Mechanical Performance	Stopper strength
Push-pull strength		100N max.
Vibration		10 to 55 to 10Hz/min., the amplitude is 1.5mm for all the frequencies, in the 3 direction of X, Y and Z and for 2 hours respectively
Durability	Operating life	15,000 cycles
3D CAD (STEP)		



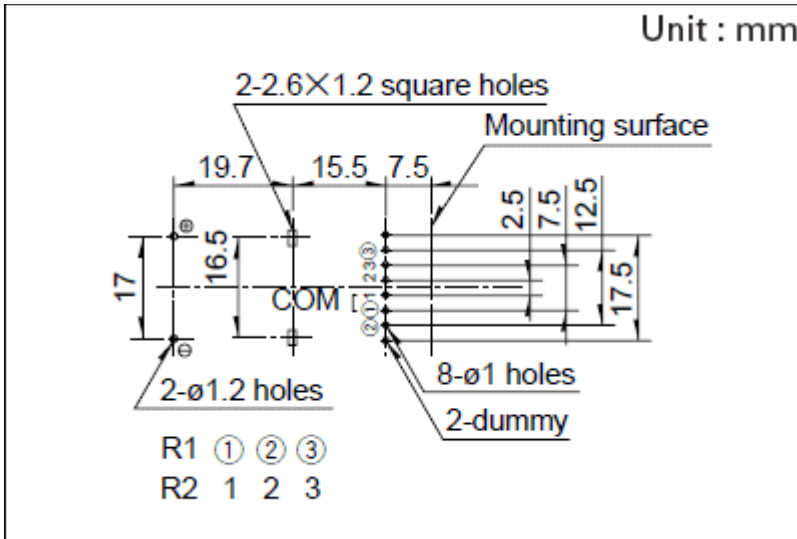
Photo



Dimensions

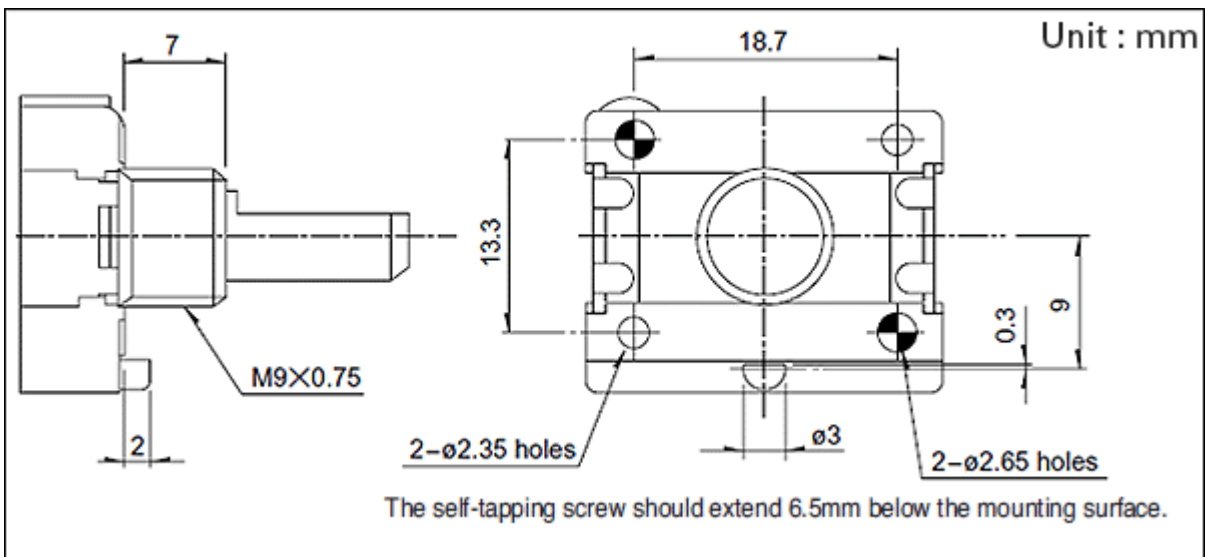


Mounting Hole Dimensions

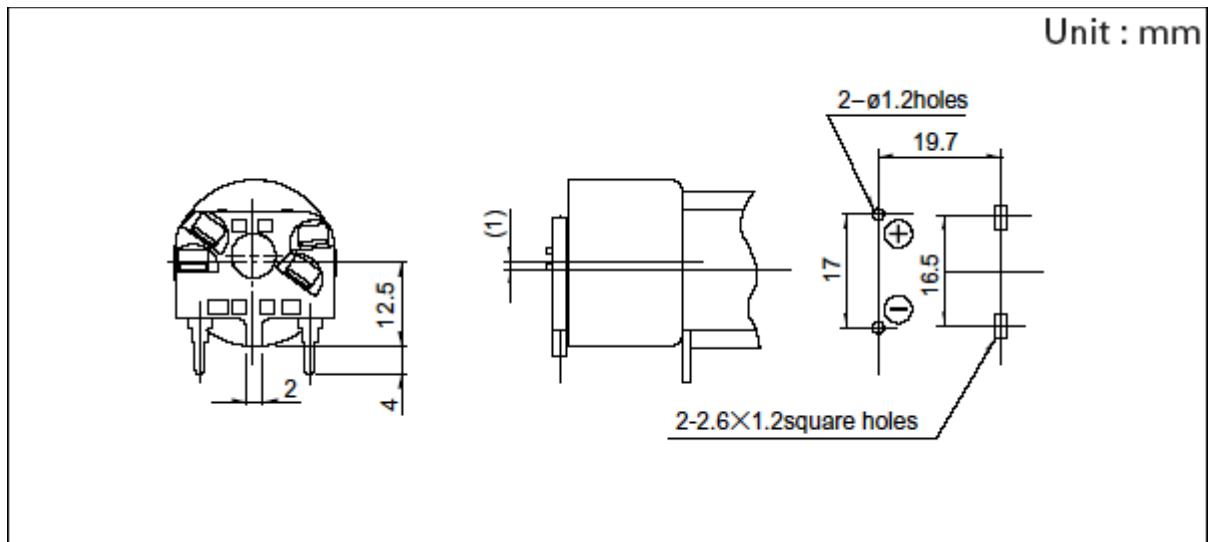


Viewed from mounting side

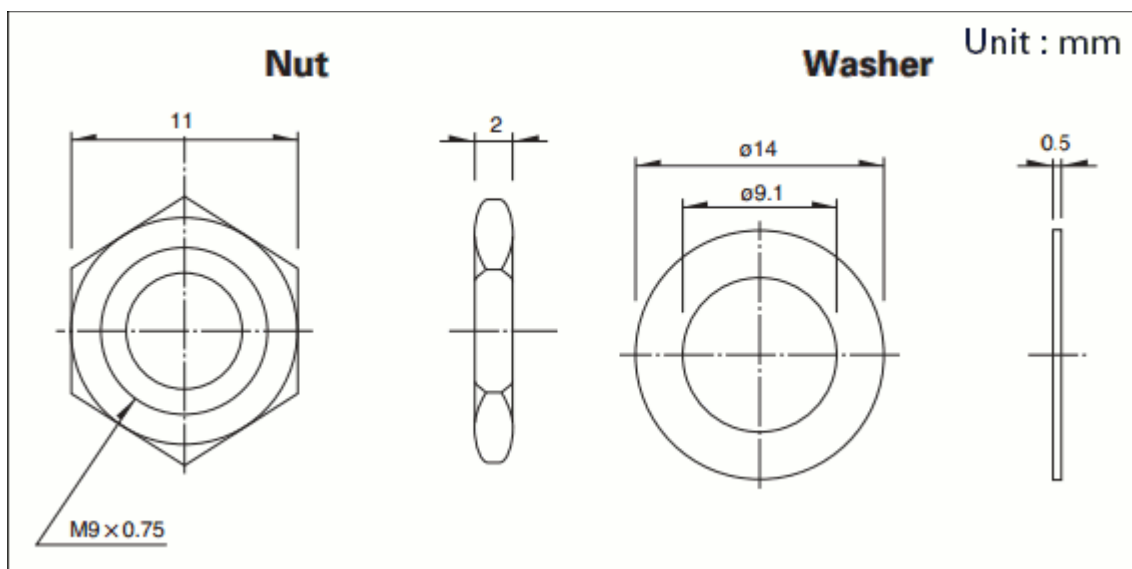
Standard Dimensions of Bushing and Fixing Lug



Style of Printed Terminal for Motor



Attached Parts



Reference for Hand Soldering

Tip temperature	300°C max. (Potentiometer terminal), 350°C max. (Motor terminal)
Soldering time	3s max. (Potentiometer terminal), 2s max. (Motor terminal)
No. of solders	1 time